

BUSTER + PUNCH

PUNCH BULB / PUCK

TECH SPEC



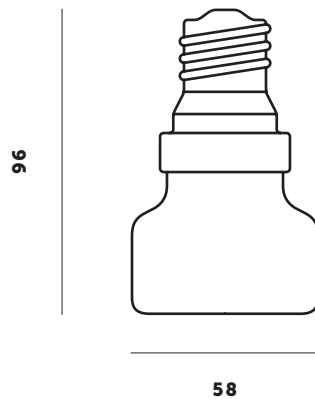
PUNCH BULB

A small puck shaped LED light bulb, finished with in opal glass shell to give a uniform warm-white light.

busterandpunch.com
info@busterandpunch.com



PUNCH BULB / PUCK / DIMMABLE
TECH SPEC



FINISH	SKU
<input type="checkbox"/> Warm White / Dimmable	BB-PI-E27-D-WH-B
SPECIFICATIONS	
Power: 5W Type: Dimmable LED Screw fitting: E27 Supply: 230 VAC Expected Life: 30 000 hrs Lumen: max 400 Light appearance: 2400k	CRI: 80 Power factor: 0.9 Recommended dimmer module: Buster + Punch LED module. (Sold with our dimmer switches) Please note: Not suitable for DALI dimming systems. CE certified.* For indoor use only.

CARE INSTRUCTIONS

Wipe with damp cloth with no loose hairs, avoid using any chemicals. Please note all finishes are prone to aging.

* Official data doc can be supplied upon request.

PLEASE NOTE

The dimmable LED BULB requires a LED-compatible dimmer switch, like the Buster + Punch Premium dimmer switch. They can also be used with on/off switches.

If you are looking to use this product in conjunction with a smart or home automation system, please refer to the system manufactures guidance to check compatibility. Our bulbs are mains dimmable via phase cut/trailing edge dimming. To avoid disappointment, please ensure a compatible smart module is fitted before purchase.