

# BUSTER+PUNCH

LONDON

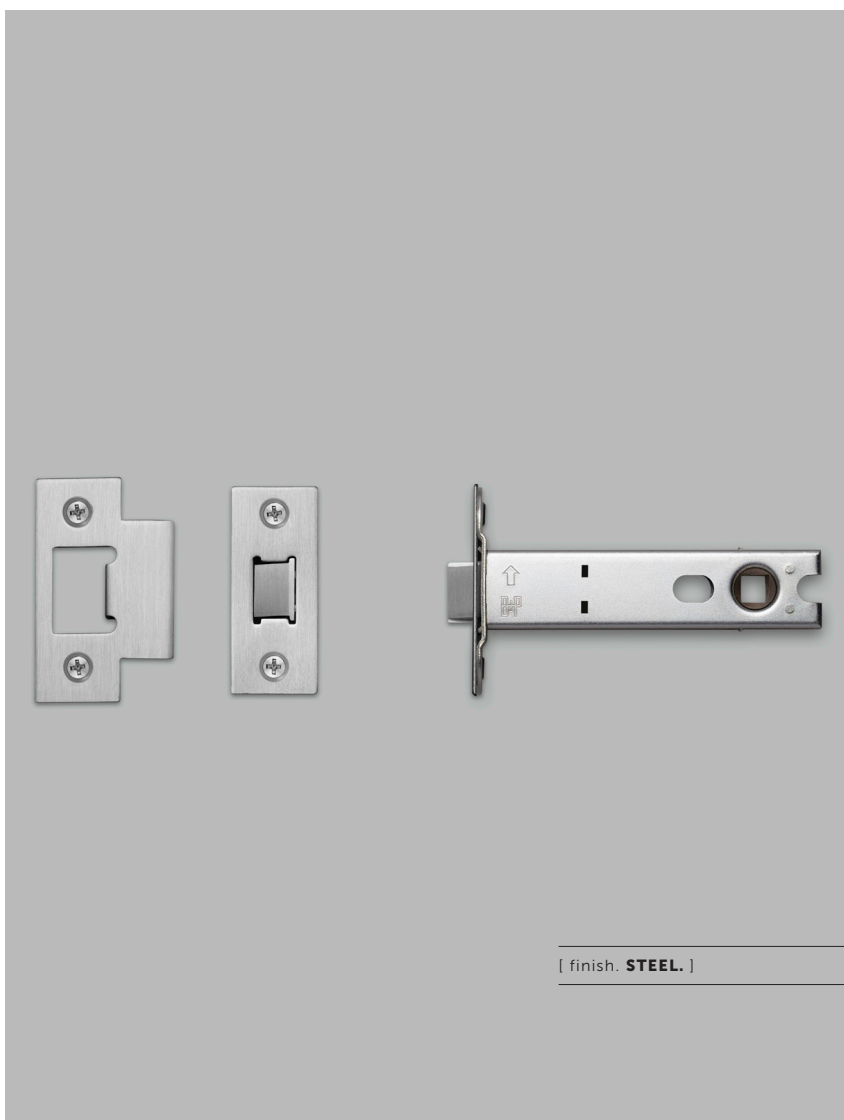
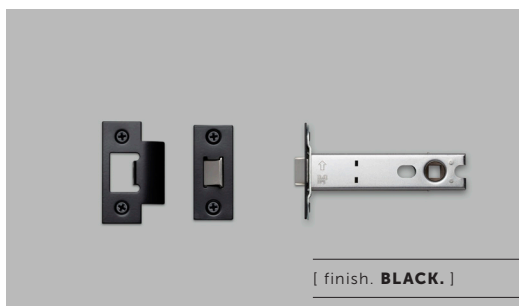
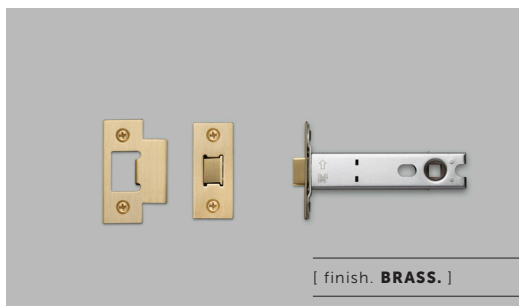
[ product. ]

## TUBULAR LATCH / FOR DOOR KNOB / 82 MM BACKSET

[ type. **TUBULAR LATCH 82 MM.** ]

[ range. **DOOR HARDWARE.** ]

Tubular latches, designed to work in conjunction with our door knobs. A sprung latch ensures a consistent feel every time you open the door. Works great on all internal doors. Latches come with strike plates and face plates machined in three solid metal finishes: brass, steel and black. Latch tongues come in matching brass or steel.



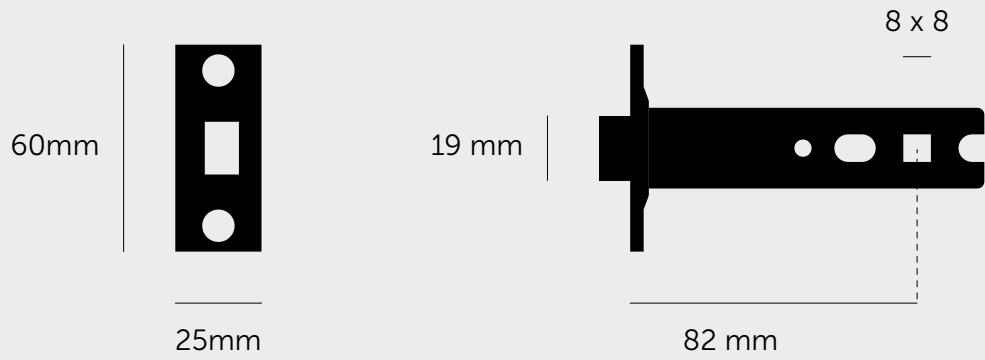
---

[ type. **TUBULAR LATCH / 82 MM.** ]

---

[ info. **MEASUREMENTS.** ]

---



---

[ info. **SPECIFICATIONS.** ]

---

A dual-direction, 82mm backset lightly sprung tubular latch, designed for use with our door knob sets. Designed for use with UK (centre distance 38mm) specific door knobs. Suitable for interior doors only.

---

[ info. **FINISH & SKU NUMBERS.** ]

---

[ finish. ]

 Brass	GLL-051166
 Steel	GLL-071167
 Black	GLL-021169

---

[ info. **CARE INSTRUCTIONS.** ]

---

Wipe with damp cloth with no loose hairs, avoid using any chemicals. All finishes are prone to aging.

---

[ info. **INCLUDED.** ]

---

**1 x 82mm tubular latch**

- 1 x face plate in matching finish
- 1 x strike plate in matching finish
- 1 x plastic dust box
- 6 x Woodscrews (2 spares) in matching finish

---

[ info. **INSTALLATION TOOLS REQUIRED.** ]

---

- Phillips head screw driver
- Chisel set
- Power drill
- + 2mm drill bit
- + 15mm Forstner/flat wood drill bit
- + 27mm Forstner drill bit

---

[ please. **NOTE.** ]

---

DISCLAIMER: Always consult a trade professional when installing these door handles. Buster + Punch is not responsible for the usage or feasibility of installation requirements. This product is not suitable for damp or wet environments.