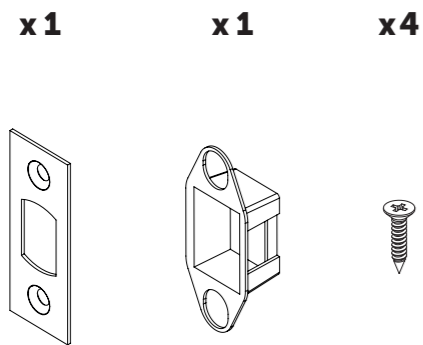
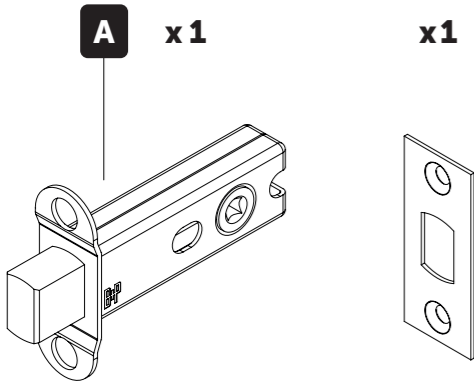


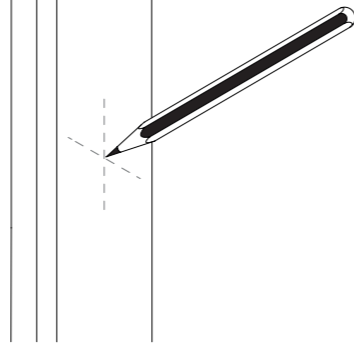
ABOVE DIMENSIONS APPROXIMATE. USE PARTS AS TEMPLATES FOR DOOR PREPARATION.

NOTE: INSTALLATION INSTRUCTION MANUAL APPLICABLE FOR US TUBULAR LATCHES SUPPLIED BY BUSTER + PUNCH. PRODUCT VARIATIONS COVERED BY THIS INSTRUCTION MANUAL ARE LISTED BELOW:

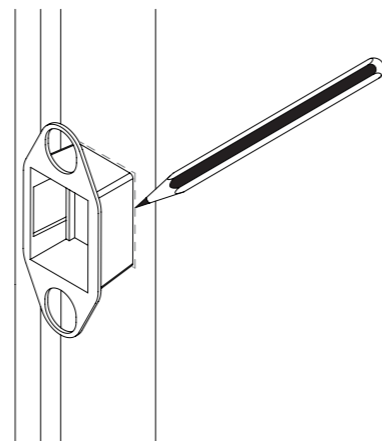
TUBULAR DEADBOLT LATCH / FOR THUMBTURN LOCK / 57mm BACKSET
TUBULAR DEADBOLT LATCH / FOR THUMBTURN LOCK / 82mm BACKSET



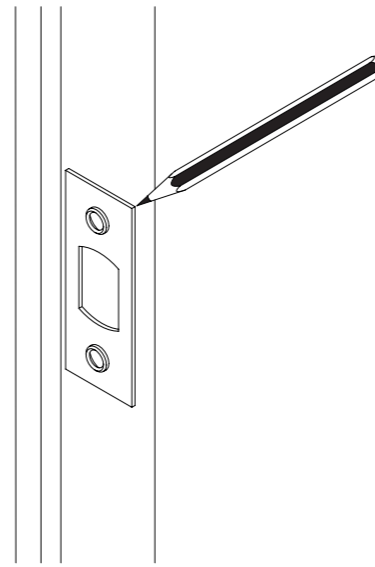
1 DOOR JAMB PREPARATION



2

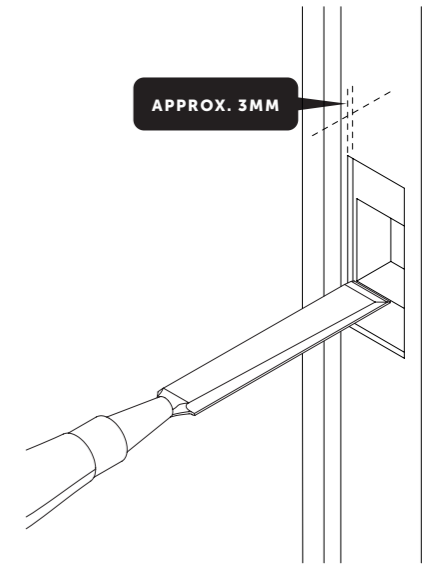


3

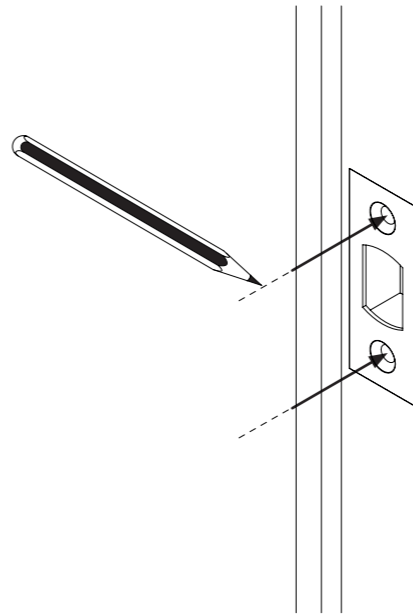


4

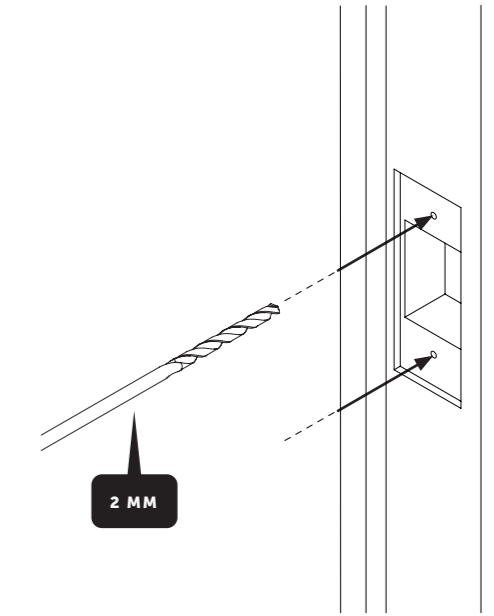
CHISEL UNTIL FACE PLATE FLUSH.



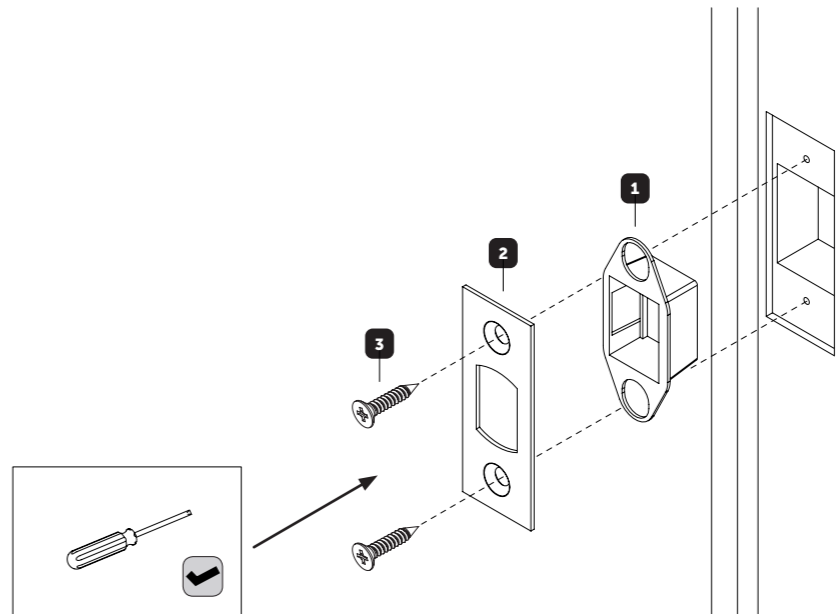
5



6

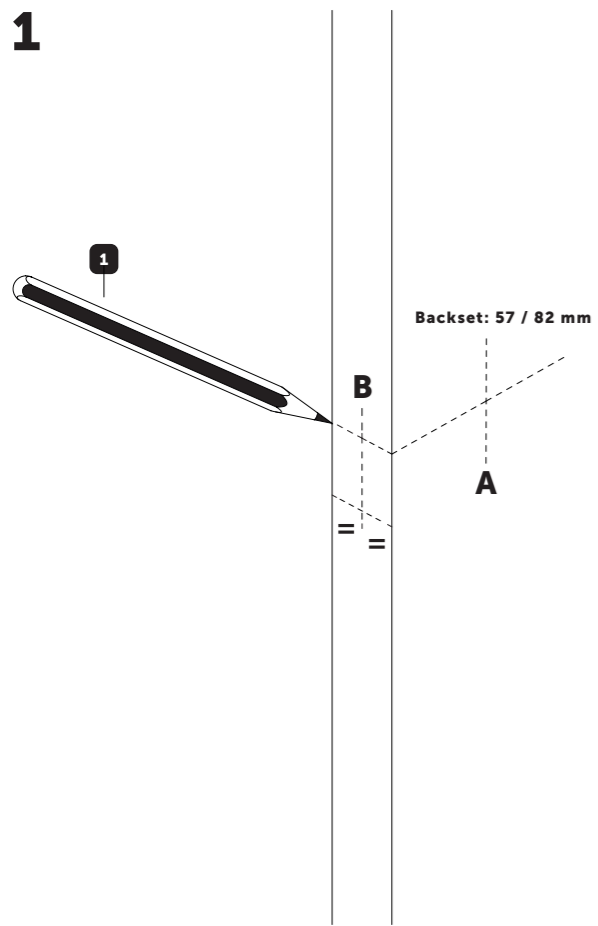


7

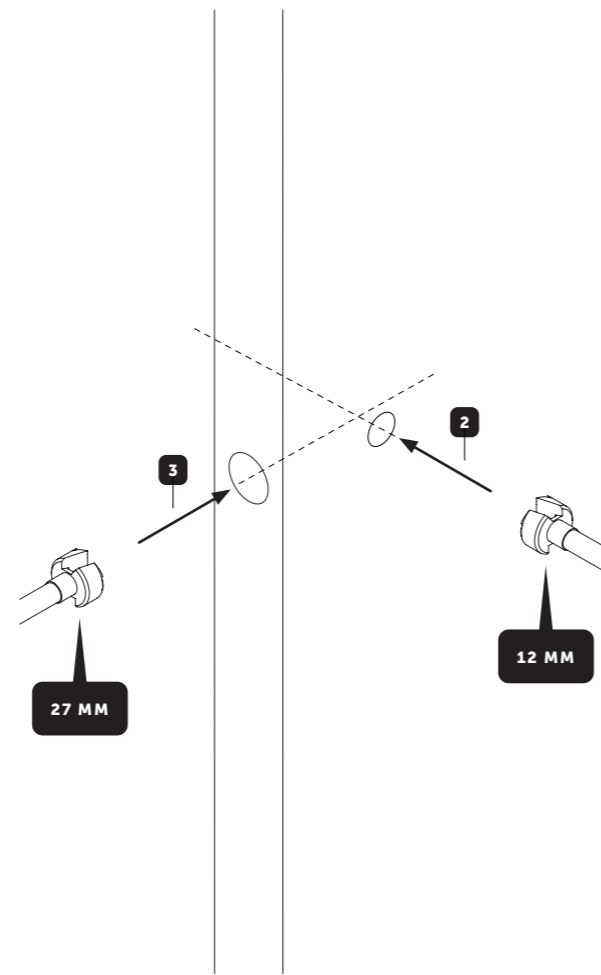


DOOR PREPARATION

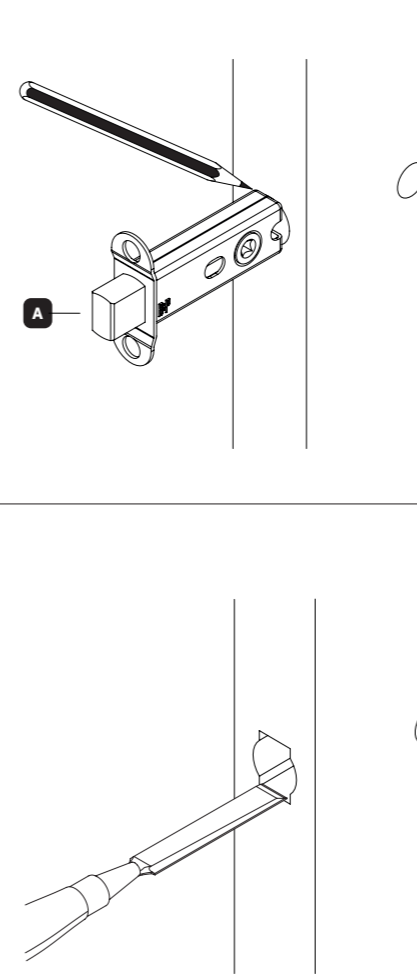
1



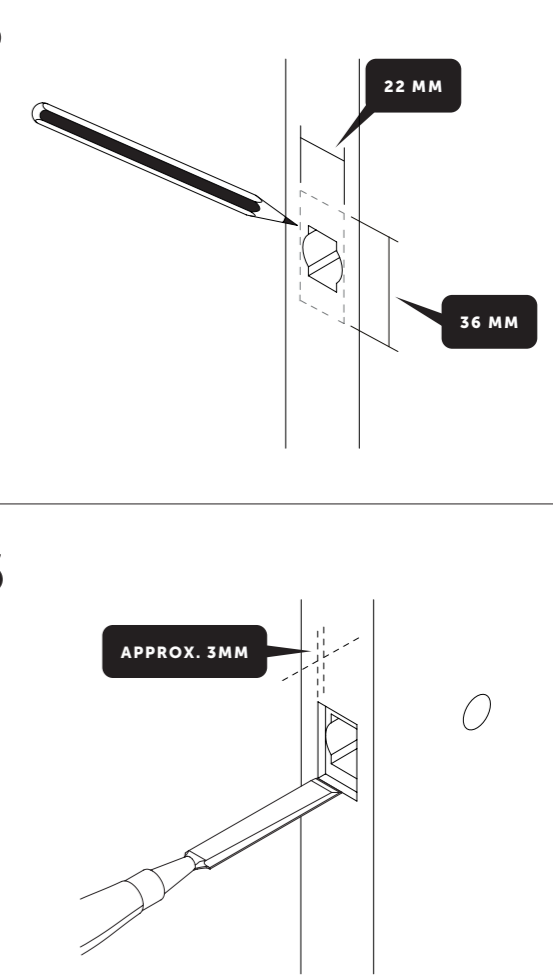
2



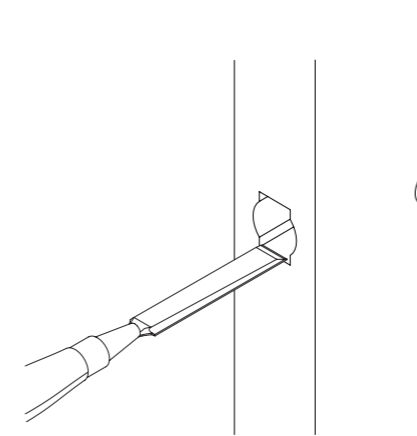
3



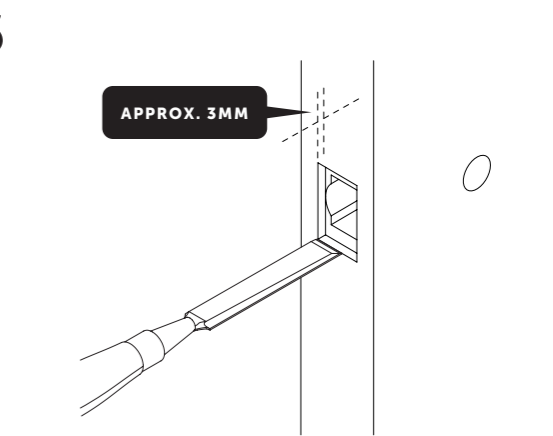
5



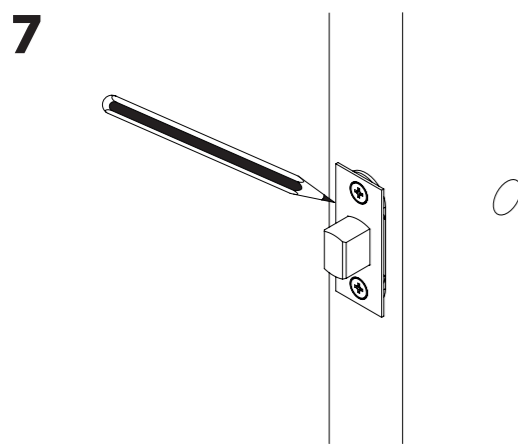
4



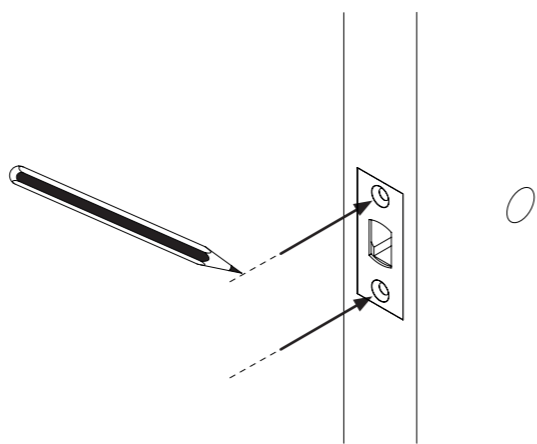
6



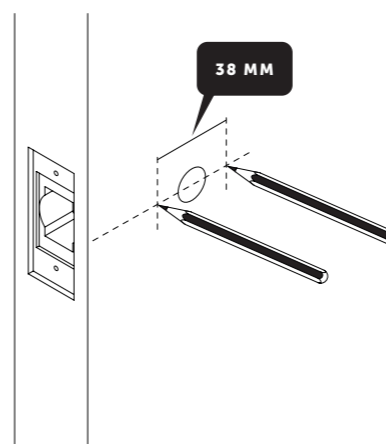
7



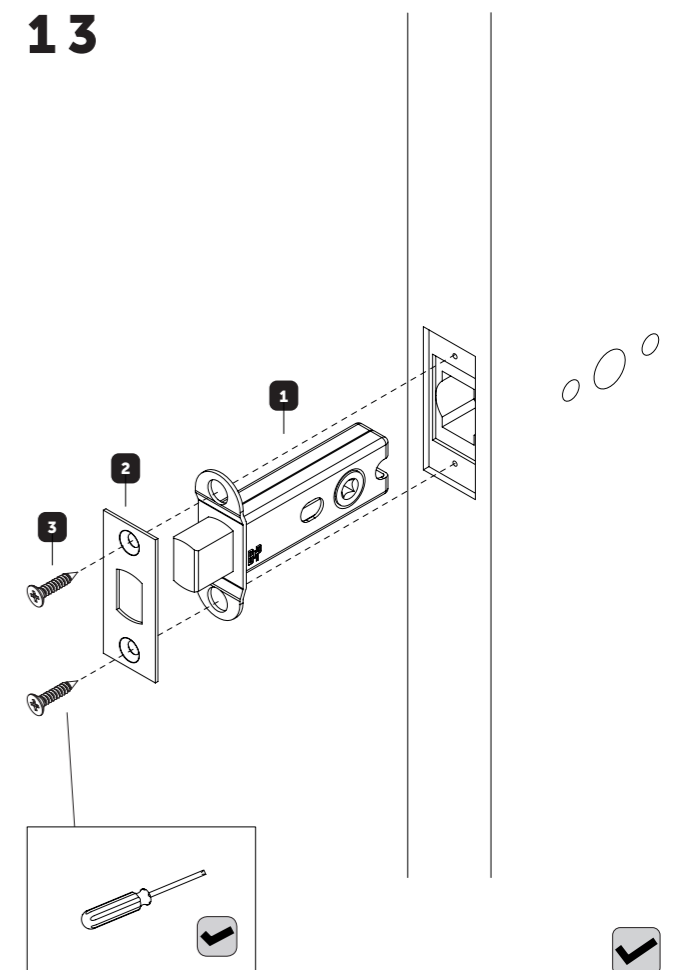
9



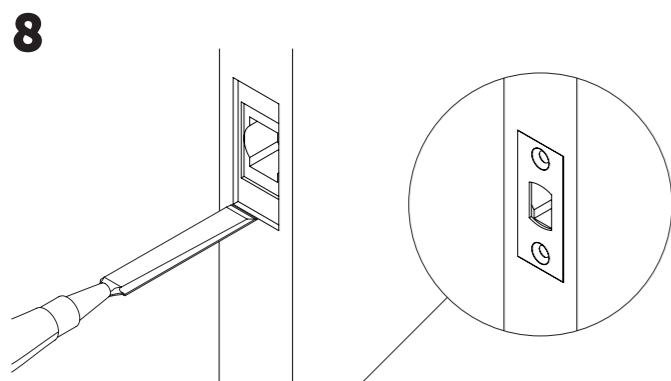
11



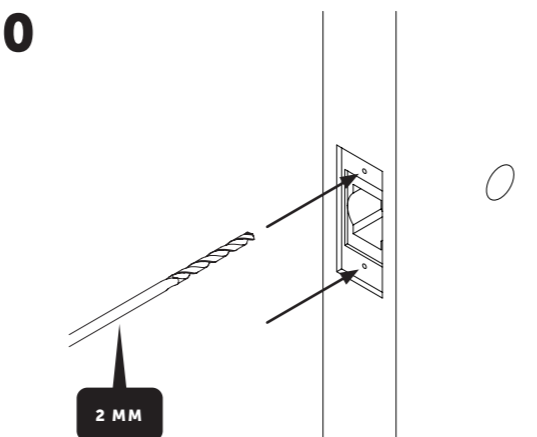
13



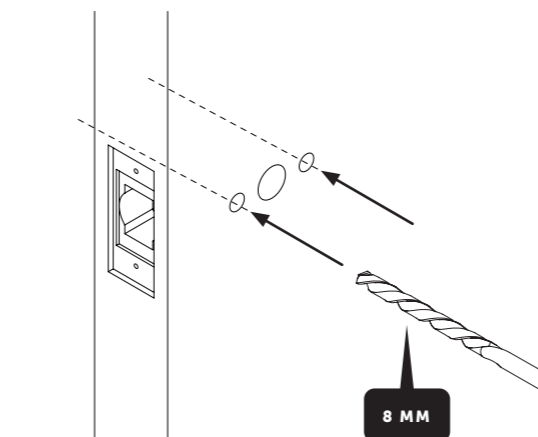
8



10



12



CHISEL UNTIL FACE PLATE FLUSH.

